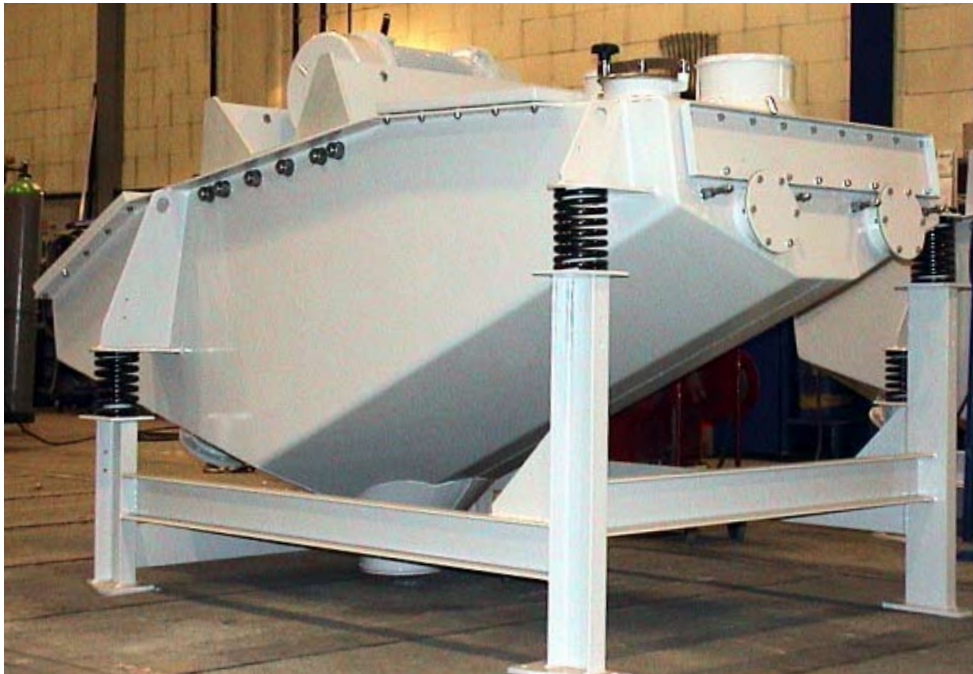


STANDARD VIBRATING SCREENS SVE



APPLICATION AND OPERATION:

The circular vibrating screen SVE as single deck, is used for the separation of all kind of bulk materials into two fractions as well as for overflow and underflow screening.

The overhead single unbalance drive creates an elliptical rotation in the conveying direction.

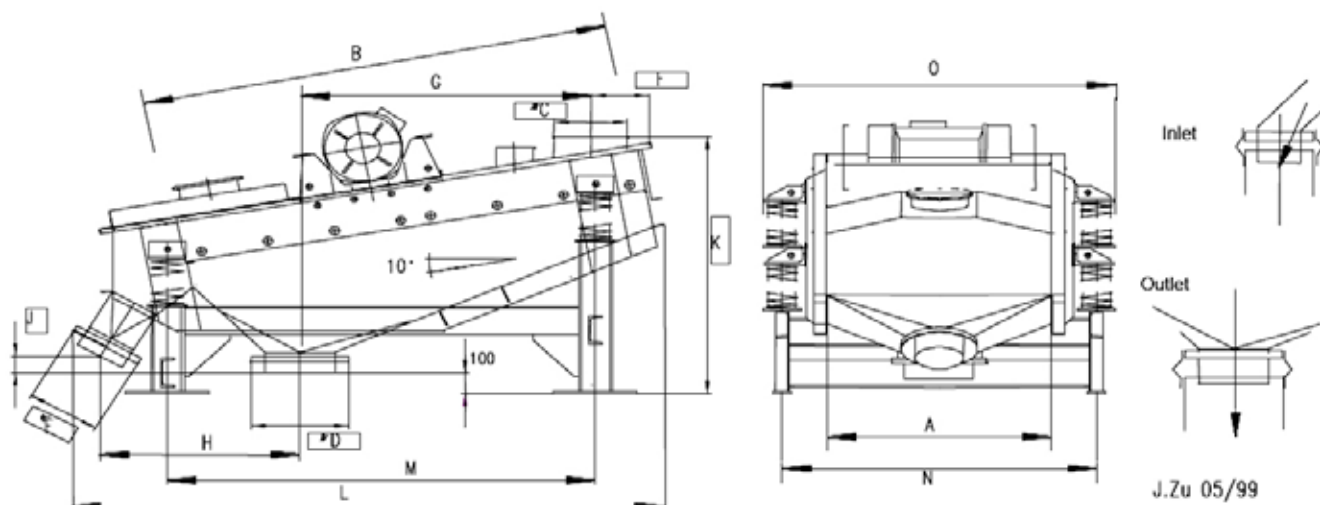
The screen is mounted on a 10 degree inclination and separates the unwanted particles from the dispersed material at a rate of 100m³/m²hr.

TECHNICAL DATA:

Type of machine:	SVE 1000 x 2500 - 950
Drive:	JV246-950
Capacity:	150 t/h
Product:	Cement powder
Grain size:	4.500 Blain
Screening:	at 4,0 mm

YOUR BENEFIT:

- Short delivery times.
- Highly efficient screening.
- Effective removal of near mesh material due to elliptical motion.
- Screening performance adjustable while machine is shut-down.
- Compact design utilizing a single unbalance drive.
- Simple installation; delivered ready for operation.
- Isolation springs minimize dynamic forces.
- Low operational noise due to single unbalance drive.
- Minimal maintenance.
- Dust proof design with dedust socket.
- Flexible gaskets for inlet and outlet connections.
- Minimal space required.



	A	X	B	C	D	E	F	G	H	J	K	ca. L	M	N	O	kW	kg
SVE	500 X		1000	419	368	318	267	450	600	0	850	1500	1100	900	1070	1,2	320
SVE	600 x		1500	419	419	318	250	830	860	80	1070	2145	1400	1000	1170	1,2	410
SVE	800 x		2000	419	419	318	250	1250	860	80	1250	2540	1840	1200	1370	2,4	730
SVE	800 x		2500	419	419	318	260	1465	1090	200	1460	3032	2000	1200	1370	3,0	1300
SVE	1000x		2000	419	419	318	250	1250	860	80	1250	2540	1840	1400	1570	2,8	1100
SVE	1000x		2500	610	478	318	360	1365	1090	200	1460	3020	2000	1400	1570	3,0	1250
SVE	1200x		2500	450/ 1100	478	318	347	1395	1139	150	1460	2960	2000	1600	1770	3,0	1450
SVE	1400x		2700	450/ 1200	478	318	310	1725	1050	535	1600	3300	2200	1900	2070	6,0	2400